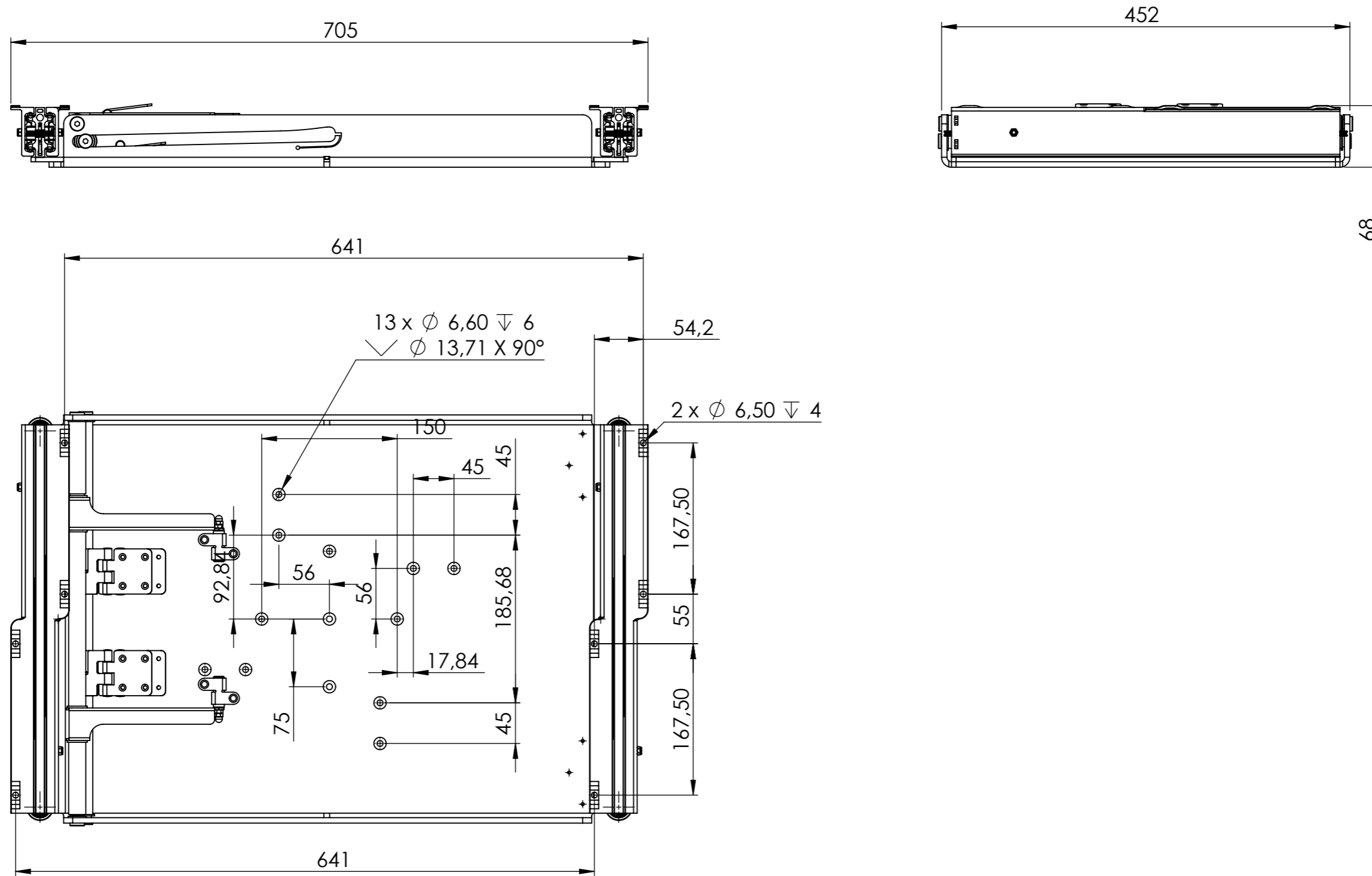
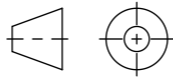


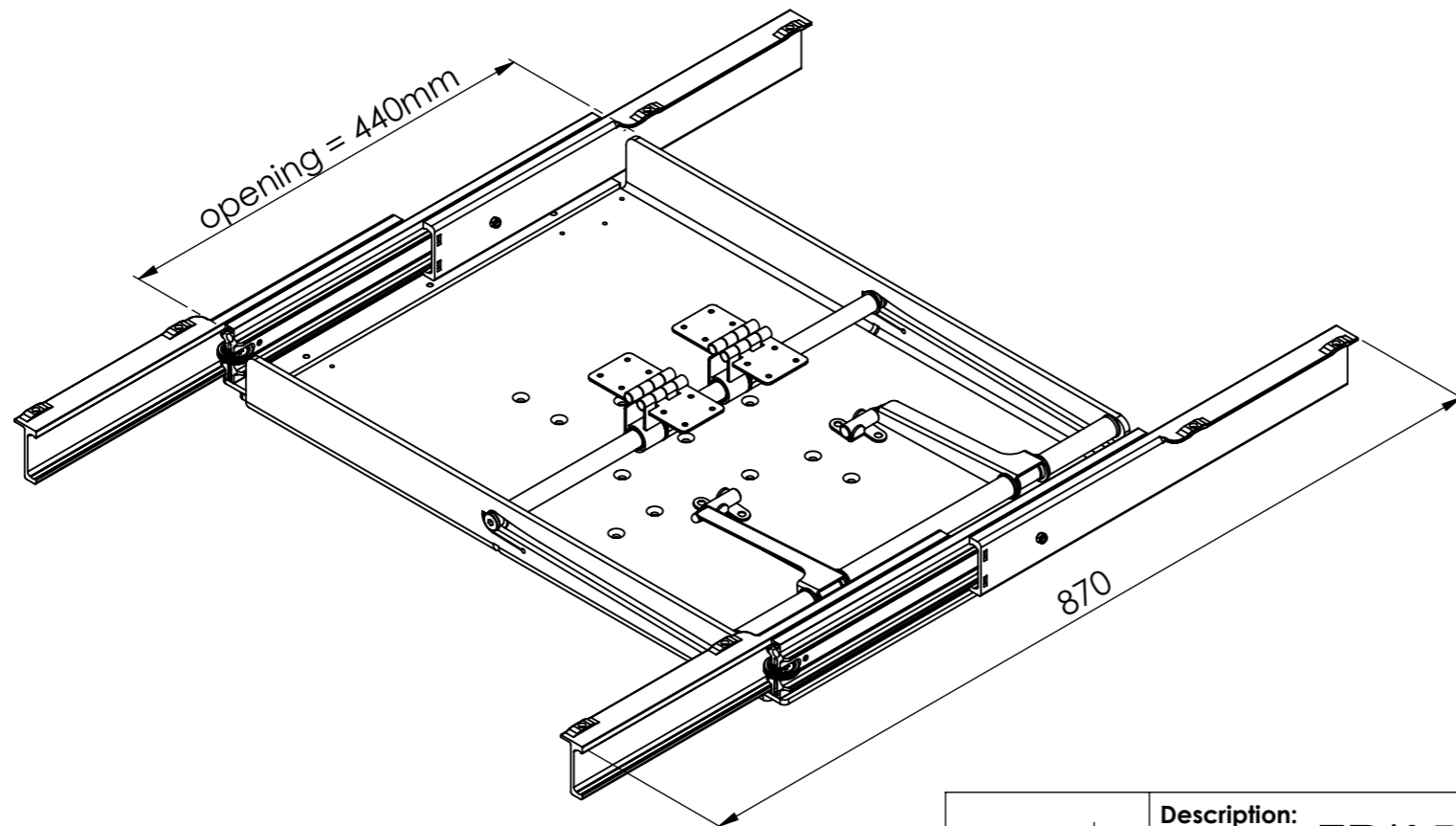
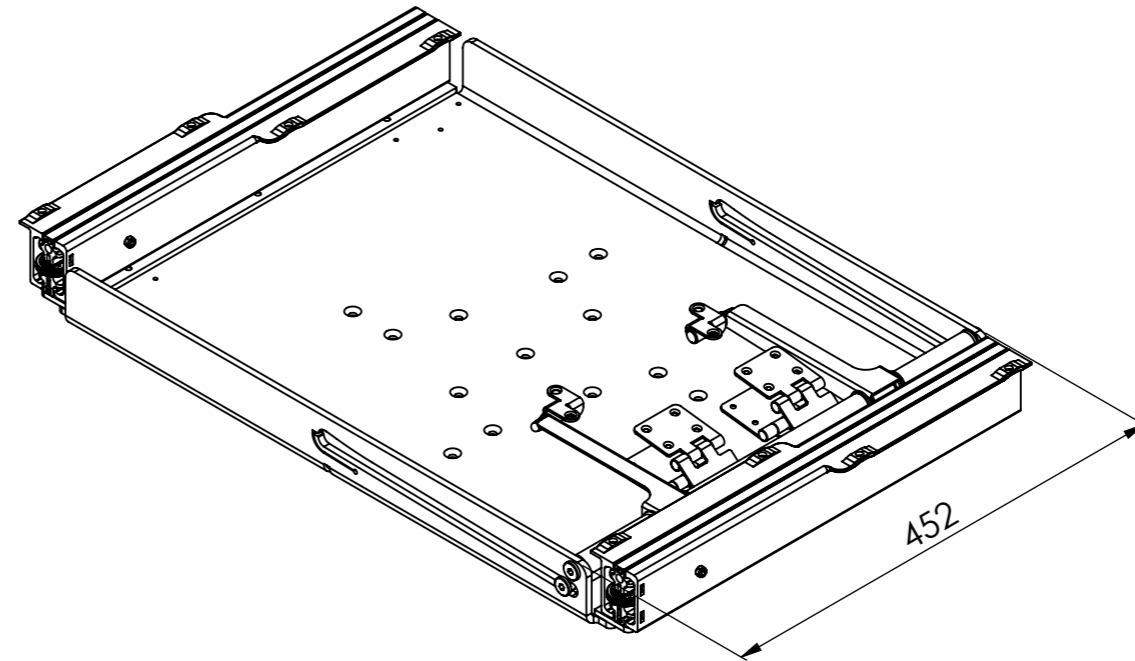
All property rights and rights to exploitation of copyright for this drawing data remain ours; they may not be made available to third parties without our consent.



opening : ca. **440** mm

Index	Change			Date	Name
 DIN ISO 128-30	Description: FR/A5-S/FFM/705x452x68				
	Surface:		Material:		Weight: 21.58 kg
PÖTTKER Transforming furniture	Name	Date	Company		
	Signed	D.Carrera	19.02.2020		
	Tested	A.Wewior	12.10.2020	Second Company:	
General tolerance: DIN ISO 2768 - m		Item No:	57070201	Scale 1:5	Page 1/4 A3

CLOSE

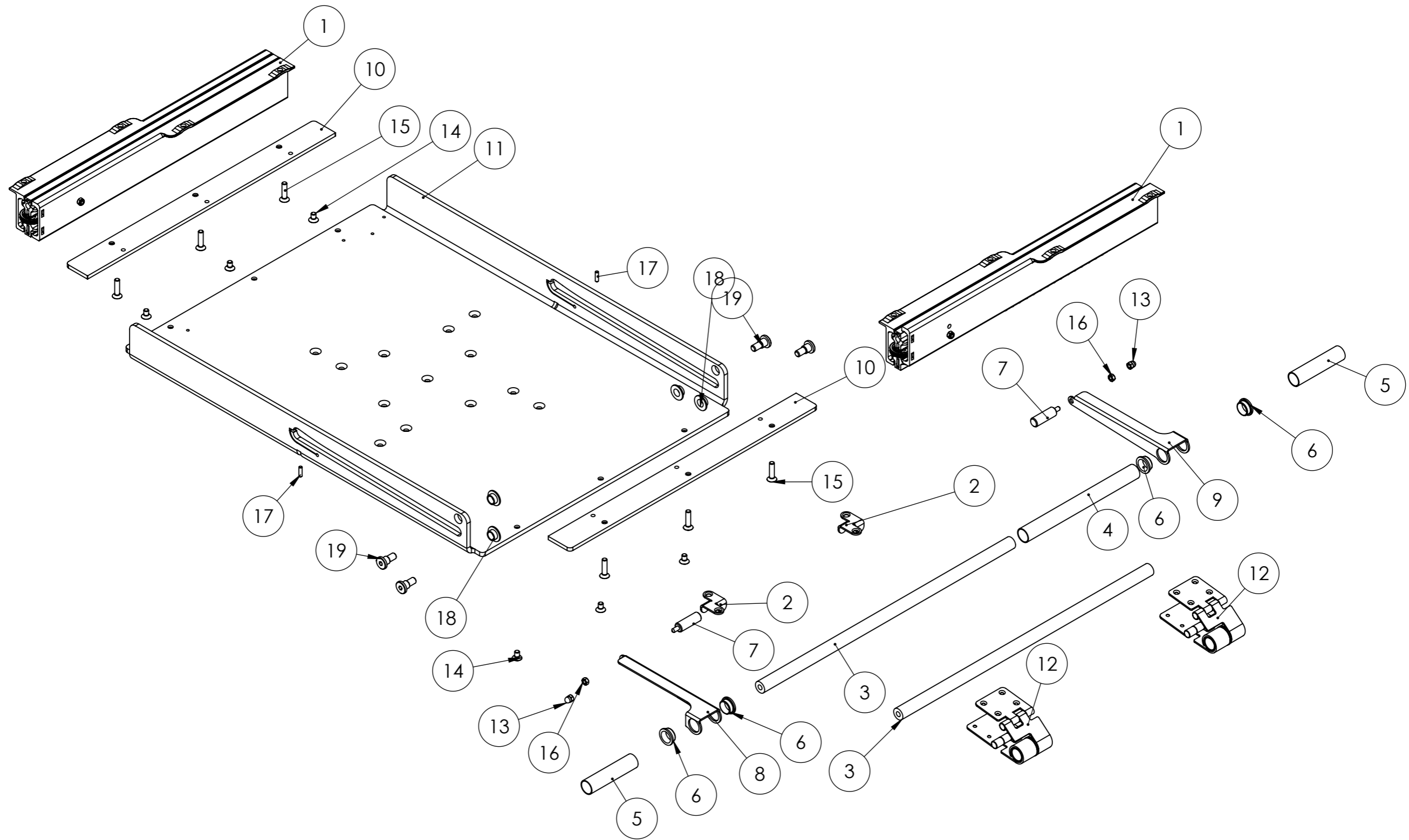


OPEN

<p>DIN ISO 128-30</p>	Description: FR/A5-S/FFM/705x452x68				
	Surface:		Material:		Weight: 21.58 kg
<p>PÖTTKER Transforming furniture</p>		Name	Date	Company	
	Signed	D.Carrera	19.02.2020		
	Tested	A.Wewior	12.10.2020	Second Company:	
General tolerance: DIN ISO 2768 - m		Item No: 57070201		Scale 1:6	Page 2/4
					A3

All property rights and rights to exploitation of copyright for this drawing data remain ours; they may not be made available to third parties without our consent.

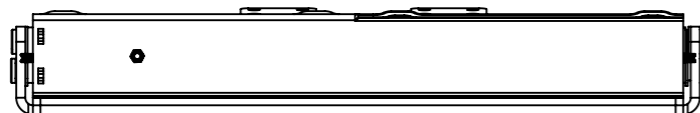
All property rights and rights to exploitation of copyright for this drawing data remain ours; they may not be made available to third parties without our consent.



<p>DIN ISO 128-30</p>	Description: FR/A5-S/FFM/705x452x68		
	Surface:		Material:
Weight: 21.58 kg			
<p>Transforming furniture</p>	Name	Date	Company
	Signed	D.Carrera	19.02.2020
	Tested	A.Wewior	12.10.2020
General tolerance: DIN ISO 2768 - m		Item No: 57070201	Scale 1:5
		Page 3/4	A3

All property rights and rights to exploitation of copyright for this drawing data remain ours; they may not be made available to third parties without our consent.

POS.	Item.No	Artikelbezeichnung	Menge
1	55043101	A5-S/430.A5.2/430.A55/KK5	2
2	23099901	Bügelschlaufe-FFM/45,5x29x2-Ø12	2
3	23043801	Welle für FFM/Ø16x435/2xM8	2
4	23019903	Distanzrohr/Ø19x1x193/Alu	1
5	23008901	Distanzrohr/Ø19x1x80/Alu	2
6	16722	Bundbuchse/Gleitbuchse/Ø22xØ18xØ16	4
7	16717	Bolzen für Umlenkung FFM/ Ø12x45/M5x10	2
8	16709	Umlenkung/Links/Ø1000	1
9	16708	Umlenkung/Rechts/Ø1000	1
10	16706	Adapter/38x5x430/3xM6	2
11	16702	Wanne/FFM/452x58x620,6	1
12	15981	Scharnier/50x38x2/Kunststoffbuchse/vz.	2
13	15937	Sechskant-Hutmutter, M5-DIN 1587-vz	2
14	15876	Senkkopfschraube+Inbus, M6x10-DIN 7991-vz	6
15	15873	Senkkopfschraube+Inbus, M6x25-DIN 7991-vz	6
16	15334	Sechskantmutter, M5-DIN 934-vz	2
17	17243	Gewindestift, M4x14-DIN 913-vz	2
18	14110	E107, Laufrolle FFM	4
19	14109	E 106, Schulterpassschraube FFM	4



<p>DIN ISO 128-30</p>	Description: FR/A5-S/FFM/705x452x68					
	Surface:		Material:		Weight: 21.58 kg	
<p>Transforming furniture</p>	Name	Date	Company			
	Signed	D.Carrera	19.02.2020			
Tested	A.Wewior	12.10.2020	Second Company:			
General tolerance: DIN ISO 2768 - m		Item No:	57070201	Scale 1:5	Page 4/4	A3